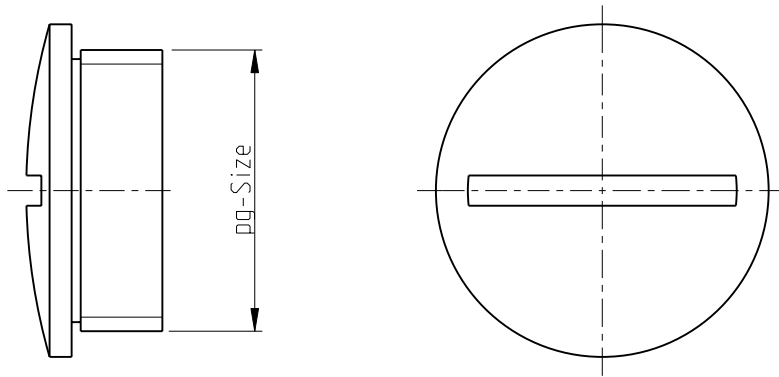
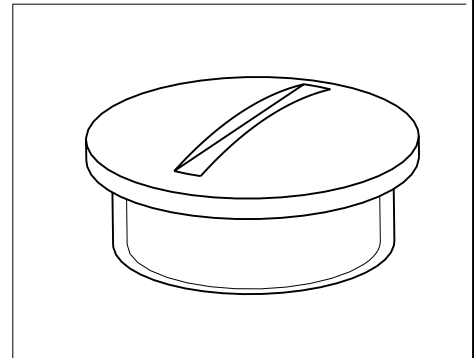


LOC A1	DIST -	REVISIONS			
P	LTR	DESCRIPTION	DATE	DWN	APVD
	B2	Released as per ECR-07-012890	01-06-07	SK	TS



NOTES

- 1 PARTS SHALL BE FREE AND CLEAN OF BURRS AND OTHER FOREIGN MATERIAL
- 2 PACKAGING QUANTITY: 10 PIECES IN A BOX



7-3	BS.42.MS	Brass	Nickel plated	42	-
6-3	BS.36.MS	Brass	Nickel plated	36	-
5-3	BS.29.MS	Brass	Nickel plated	29	-
4-3	BS.21.MS	Brass	Nickel plated	21	-
3-3	BS.16.MS	Brass	Nickel plated	16	-
2-3	BS.13.MS	Brass	Nickel plated	13.5	-
1-3	BS.11.MS	Brass	Nickel plated	11	-
PART NO	DESCRIPTION	MATERIAL	SURFACE	PG-SIZE	DIA "A"

THIS DRAWING IS UNPUBLISHED. BY TYCO ELECTRONICS CORPORATION. ALL RIGHTS RESERVED.

DIMENSIONS: mm		DWN Gräf 16.10.97	MATERIAL -	FINISH -			
TOLERANCES UNLESS OTHERWISE SPECIFIED: n.ISO 8015 n.ISO 2768-MH-E n.DIN 16901-120 0 PLC ± 1 PLC ± 2 PLC ± 3 PLC ± 4 PLC ± ANGLES ± -		CHK Schnurpfeil 16.10.97	Tyco Electronics Tyco Electronics, AMP, GmbH D-53819, Neunkirchen Germany				
		APVD -					
		PRODUCT SPEC -	NAME DEAD END PLUG				
		APPLICATION SPEC -	SIZE A 4	CAGE CODE 00779	DRAWING NO C-1106056	RESTRICTED TO -	
		WEIGHT -	CUSTOMER DRAWING		SCALE 2:1	SHEET 1 OF 1	REV B2